

T-01-01  
T-03-01

## SILICON RECTIFIERS

Type	Max V <sub>RPR</sub>	Max V <sub>RMS</sub>	Max V <sub>DCB</sub>
------	-------------------------	-------------------------	-------------------------

1.0 AMPERE  
Package: DO-41

IN4001	50	35	50
IN4002	100	70	100
IN4003	200	140	200
IN4004	400	280	400
IN4005	600	420	600
IN4006	800	560	800
IN4007	1000	700	1000

1.5 AMPERES  
Package: DO-41

IN5391	50	35	50
IN5392	100	70	100
IN5393	200	140	200
IN5394	300	210	300
IN5395	400	280	400
IN5396	500	350	500
IN5397	600	420	600
IN5398	800	560	800
IN5399	1000	700	1000

3.0 AMPERES  
Package: DO-201AD

IN5400	50	35	50
IN5401	100	70	100
IN5402	200	140	200
IN5403	300	210	300
IN5404	400	280	400
IN5405	500	350	500
IN5406	600	420	600
IN5407	800	560	800
IN5408	1000	700	1000

Type	Max V <sub>RPR</sub>	Max V <sub>RMS</sub>	Max V <sub>DCB</sub>
------	-------------------------	-------------------------	-------------------------

6.0 AMPERES  
Package: R6

PX6A01	50	35	50
PX6A02	100	70	100
PX6A03	200	140	200
PX6A04	400	280	400
PX6A05	600	420	600
PX6A06	800	560	800
PX6A07	1000	700	1000

## FAST RECOVERY RECTIFIERS

1.5 AMPERES  
Package: DO-41

IN4933	50	35	50
IN4934	100	70	100
IN4935	200	135	200
IN4936	400	280	400
IN4937	600	420	600

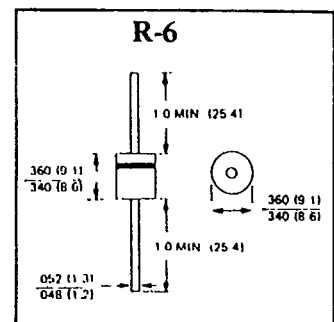
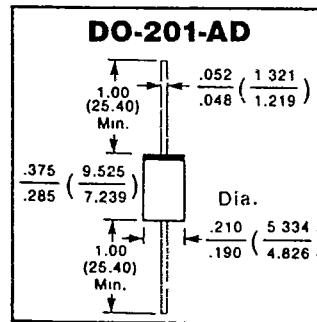
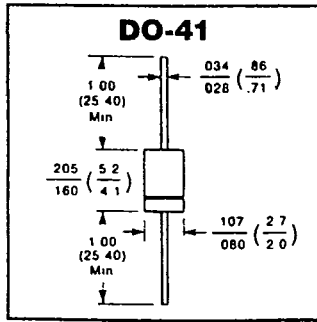
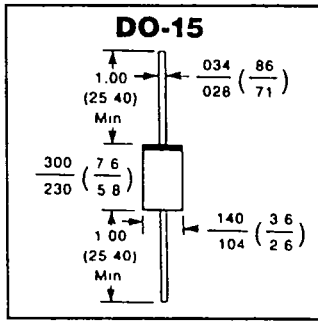
1.5 AMPERES  
Package: DO-41

PR1501	50	35	50
PR1502	100	70	100
PR1503	200	140	200
PR1504	400	280	400
PR1505	600	420	600
PR1506	800	560	800
PR1507	1000	700	1000

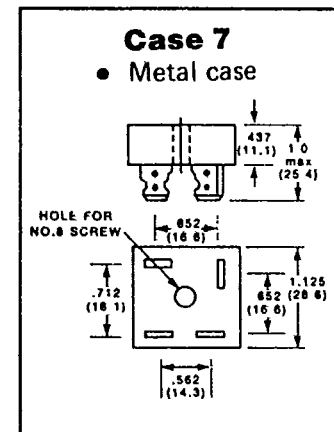
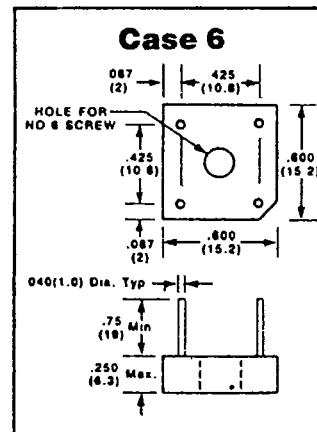
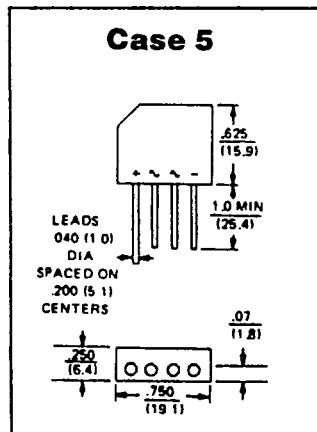
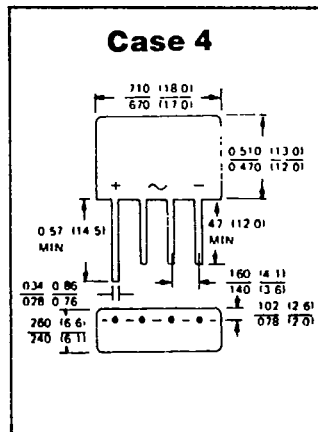
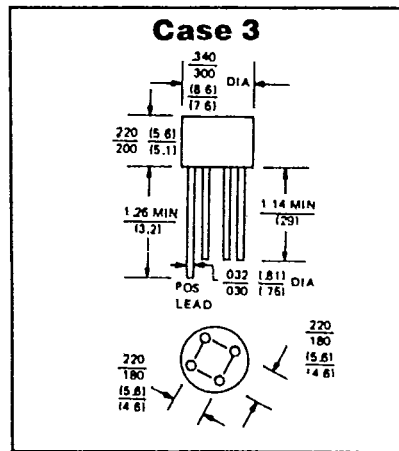
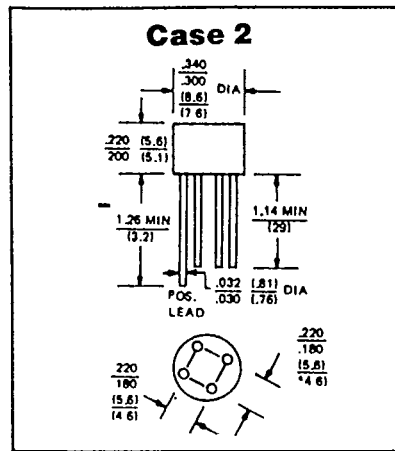
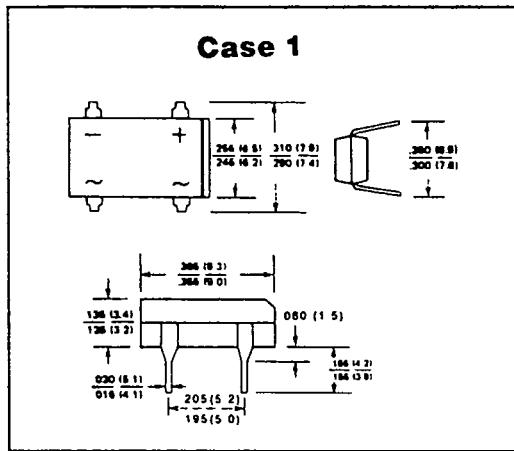
\*V<sub>RPR</sub> = Recurrent Peak Reverse Voltage; V<sub>RMS</sub> = RMS Voltage; V<sub>DCB</sub> = DC Blocking Voltage

# Package Designs

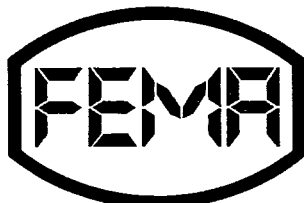
## SILICON RECTIFIERS/SCHOTTKY RECTIFIERS



## BRIDGE RECTIFIERS



Dimensions in inches and (millimeters)



**FEMA Electronics Corp.**

ELECTRONIC COMPONENTS DIVISION

12-6 EDGEBORO ROAD  
 EAST BRUNSWICK, NJ 08816  
 PHONE: (201) 238-1223  
 TELEX: 299425 FEMA UR  
 FAX: (201) 238-7981